



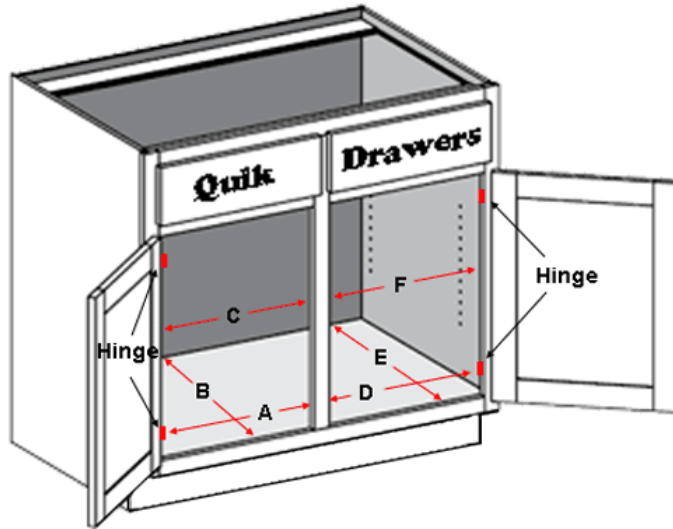
Double Door - Divided Opening Worksheet

Uses 4 "L" Bracket Installation On Base Shelves & 2 "RB" Bracket Installation For Upper Shelves

The *no middle shelf* type cabinet will use:

4 "L" bracket method of installation for the base shelves

2 "RB" bracket method for the upper shelves



2 rear bracket installation for upper shelves

4 "L" bracket installation for base shelves

- A & D - From hinge (if present) to other side of opening
- B & E - From rear wall to inside of face frame
- C & F - From opening edge to other side of opening

- A,D** Record the measurement from hinge to opposite side of opening. If there is no hinge, then measure from side of opening to opposite side of opening.
- B,E** Record the measure from the rear wall to the inside edge of the front face frame
- C,F** Record the distance from one side of the opening to the opposite side of the opening. The upper shelf area should be clear of any hinges

<u>Cabinet #</u>	<u>"A"</u>	<u>"B"</u>	<u>"C"</u>	<u>"D"</u>	<u>"E"</u>	<u>"F"</u>
_____	_____	_____	_____	_____	_____	_____
_____	_____	_____	_____	_____	_____	_____
_____	_____	_____	_____	_____	_____	_____
_____	_____	_____	_____	_____	_____	_____
_____	_____	_____	_____	_____	_____	_____